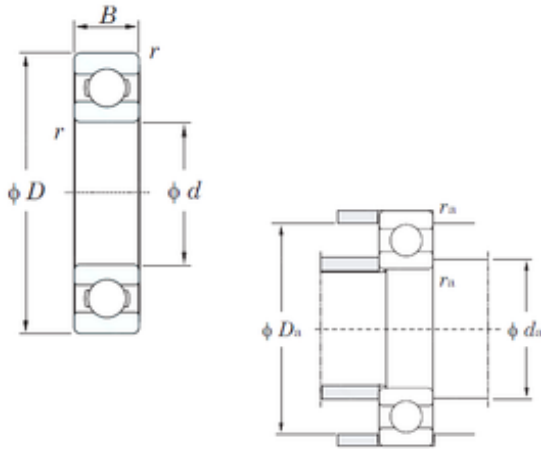




UI BEARING TECHNOLOGY CO., LTD



35 mm x 72 mm x 17 mm KOYO 6207 Mounted Units & Inserts

Bearing No. 6207

6207 Bearing 2D drawings and 3D CAD models

Size	35x72x17 mm
Bore Diameter	35 mm
Outer Diameter	72 mm
Width	17 mm
d	35 mm
D	72 mm
B	17 mm
C	17 mm
r min.	1,1 mm
da min.	41,5 mm
Da max.	65,5 mm
ra max.	1 mm
Weight	0,288 Kg
Basic dynamic load rating (C)	25,7 kN
Basic static load rating (C0)	15,4 kN
(Grease) Lubrication Speed	9200 r/min
(Oil) Lubrication Speed	11000 r/min
Category	Single Row Ball Bearings
Inventory	0.0
Manufacturer Name	KOYO
Minimum Buy Quantity	N/A
Weight / Kilogram	0.305
EAN	0605790061943
Product Group	B00308
Enclosure	Open



UI BEARING TECHNOLOGY CO., LTD

Precision Class	ABEC 1 ISO P0
Maximum Capacity / Filling Slot	No
Rolling Element	Ball Bearing
Snap Ring	No
Internal Special Features	No
Cage Material	Steel
Internal Clearance	C0-Medium
Inch - Metric	Metric
Long Description	35MM Bore; 72MM Outside Diameter; 17MM Outer Race Diameter; Open; Ball Bearing; ABEC 1 ISO P0; No Filling Slot; No Snap Ring; No Internal Special Features
Category	Single Row Ball Bearing
UNSPSC	31171504
Harmonized Tariff Code	8482.10.50.68
Noun	Bearing
Keyword String	Ball
Manufacturer URL	http://www.koyousa.com
Manufacturer Item Number	6207
Weight / LBS	0.672
Outer Race Width	0.669 Inch 17 Millimeter
Outside Diameter	2.835 Inch 72 Millimeter
Bore	1.378 Inch 35 Millimeter
Bearing No.	6207
r(min)	1.1
Cr	32.1
C0r	15.4
Cu	1.10
f0	13.9
Grease lub.	9200



UI BEARING TECHNOLOGY CO., LTD

Oil lub.	11000
da(min)	41.5
Da(max)	65.5
ra(max)	1
(Refer.)Mass(kg)	0.288